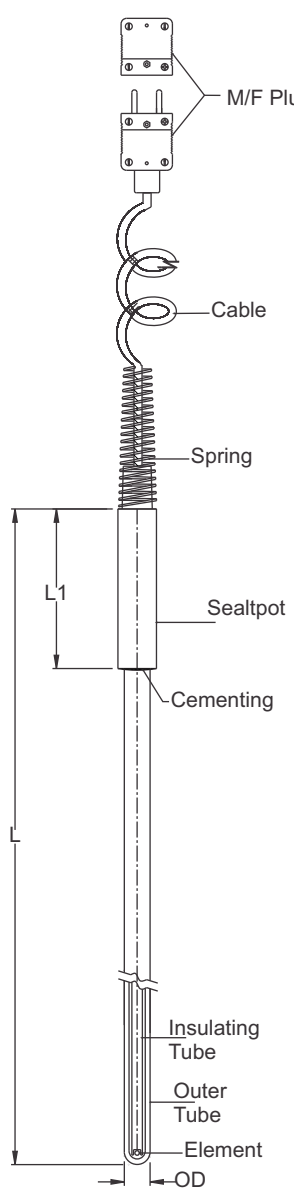


STANDARD THERMOCOUPLE WITH CABLE & M-F CONNECTOR

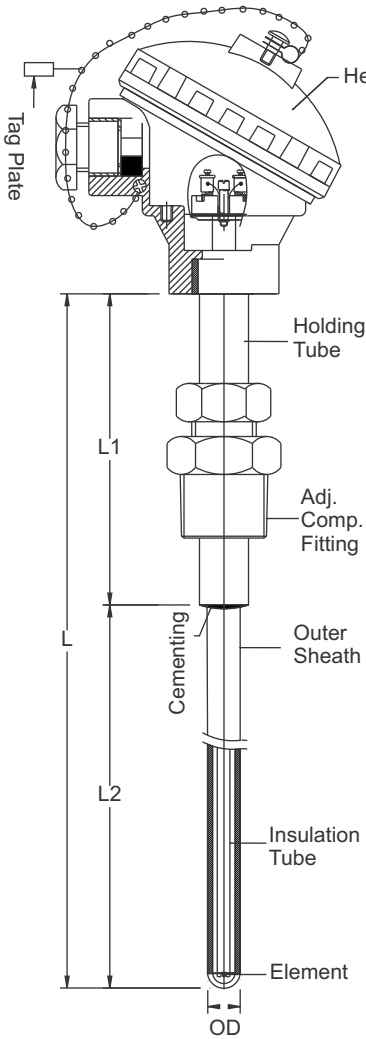
T-800



Termination Style		A	Standard Plug / Socket										
		B	Miniature Plug / Socket										
Junction Style		GN	Grounded										
		UN	Ungrounded										
Thermocouple Element		<table border="1"> <thead> <tr> <th>Type of T/C</th> <th>Description</th> </tr> </thead> <tbody> <tr> <td>R</td> <td>Pt-Rh 13%Pt</td> </tr> <tr> <td>S</td> <td>Pt-Rh 10% Pt</td> </tr> <tr> <td>B</td> <td>Pt-Rh 30% Pt-Rh 6%</td> </tr> <tr> <td>Ex.:</td> <td>If Simplex-R Duplex-RR</td> </tr> </tbody> </table>		Type of T/C	Description	R	Pt-Rh 13%Pt	S	Pt-Rh 10% Pt	B	Pt-Rh 30% Pt-Rh 6%	Ex.:	If Simplex-R Duplex-RR
Type of T/C	Description												
R	Pt-Rh 13%Pt												
S	Pt-Rh 10% Pt												
B	Pt-Rh 30% Pt-Rh 6%												
Ex.:	If Simplex-R Duplex-RR												
Element Dia		0.35	Ø0.35mm										
		0.40	Ø0.40mm										
		0.45	Ø0.45mm										
		0.50	Ø0.50mm										
		Other	Consult Factory										
Insulating Tube OD		3.5	Ø3.5mm										
		4.5	Ø4.5mm										
		5.5	Ø5.5mm										
		8.5	Ø8.5mm										
Insulating Tube Material		610	Ceramic- 610										
		710	Ceramic- 710										
Outer Sheath OD X ID :		A	6 X 4mm										
		B	8 X 5mm										
		C	10 X 7mm										
		D	12 X 8mm										
		E	20 X15mm										
		F	24 X18mm										
Outer tube Material		610	Recrystallised Alumina Ceramic- Ker- 610										
		710	Recrystallised Alumina Ceramic- Ker- 710										
Sealpot Length "L1"(mm)													
Nominal Length of T/C "L" (mm)													
Type of Cable		A	Teflon/Teflon Insulated Flexible Cable										
		B	Teflon Insulated & SS Braided Flexible Cable										
		C	FG/FG Insulated Flexible Cable										
		D	PVC/PVC Insulated Flexible Cable										
		E	FG/FG/Insulated/SS Braided										
		Other	Consult Factory										
Cable Length (mm)													

STANDARD THERMOCOUPLE

T-803



Termination Style

Junction Style

Thermocouple Element

Element Dia

Insulating Tube OD

Insulating Tube Material

Outer Sheath OD X ID :

Outer tube Material

Holding Tube Material

Holding Tube OD (mm)

Holding Tube

Holding Tube Length "L1" (mm)

Adj. Comp. Fitting

Nominal Length of T/C (mm)

C	Connection Head IP-67
D	Double entry Head IP-65
EB	Ex-D IIB Zone 1&2
EC	Ex-D IIC
M	Miniature Head
P	Plastic Head
Other	Consult Factory

GN	Grounded
UN	Ungrounded

Type of T/C	Description
R	Pt-Rh 13%Pt
S	Pt-Rh 10% Pt
B	Pt-Rh 30% Pt-Rh 6%
Ex.:	If Simplex-R Duplex-RR

0.35	Ø0.35mm
0.40	Ø0.40mm
0.45	Ø0.45mm
0.50	Ø0.50mm
Other	Consult Factory

3.5	Ø3.5mm
4.5	Ø4.5mm
5.5	Ø5.5mm
8.5	Ø8.5mm

610	Ceramic- 610
710	Ceramic- 710

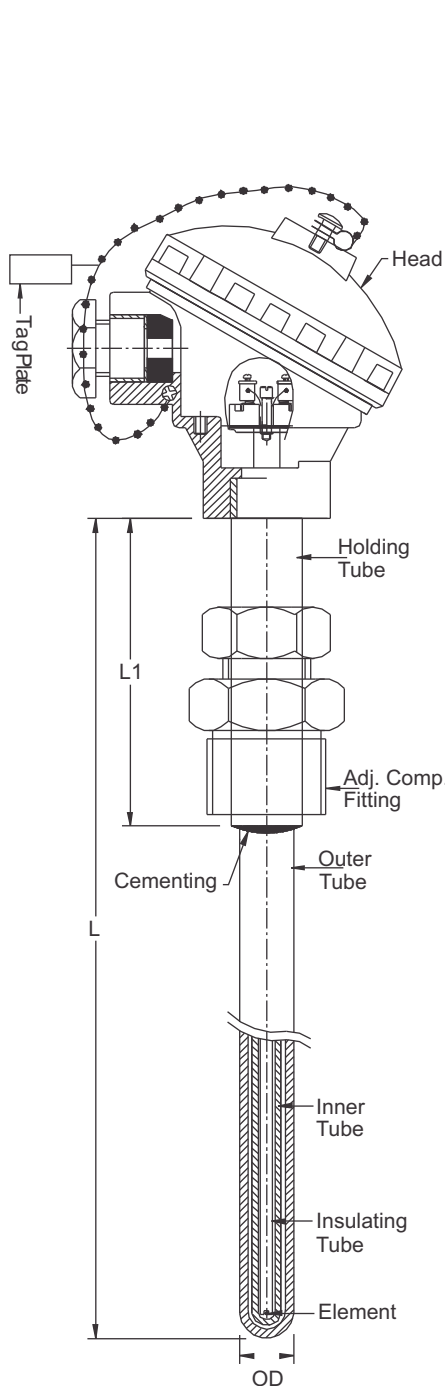
A	6 X 4mm
B	8 X 5mm
C	10 X 7mm
D	12 X 8mm
E	20 X15mm
F	24 X18mm

610	Recrystallised Alumina Ceramic- Ker- 610
710	Recrystallised Alumina Ceramic- Ker- 710

316	SS 316
310	SS 310
304	SS 304
600	Inconel 600
800	Inconel 800
Other	Consult Factory

Threads	1/4"
	1/2"
	3/4"
	3/8"
B.S.P. / N.P.T.	1"
	1 1/4"
	1 1/2"
	2"
M-Thread	M20X1.5, M18X1.5, M33X2, M27X2
Other	Consult Factory
N/A	Not Available

THERMOCOUPLE WITH DOUBLE PROTECTION TUBE & ADJUSTABLE FITTING



T-804

Termination Style

C	Connection Head IP-67
D	Double entry Head IP-65
EB	Ex-D IIB Zone 1&2
EC	Ex-D IIC
M	Miniature Head
P	Plastic Head
Other	Consult Factory

Junction Style

GN	Grounded
UN	Ungrounded

Thermocouple Element

Type of T/C	Description
R	Pt-Rh 13%Pt
S	Pt-Rh 10% Pt
B	Pt-Rh 30% Pt-Rh 6%
Ex.:	If Simplex-R Duplex-RR

Element Dia

0.35	Ø0.35mm
0.40	Ø0.40mm
0.45	Ø0.45mm
0.50	Ø0.50mm
Other	Consult Factory

Insulating Tube OD

3.5	Ø3.5mm
4.5	Ø4.5mm
5.5	Ø5.5mm
8.5	Ø8.5mm

Insulating Tube Material

610	Ceramic- 610
710	Ceramic- 710

Inner Tube OD X ID :

A	6 X 4mm
B	8 X 5mm
C	10 X 7mm
D	12 X 8mm
E	20 X 15mm
F	24 X 18mm

Inner tube Material

316	SS 316
310	SS 310
304	SS 304
600	Inconel 600
800	Inconel 800
610	Recrystallised Alumina Ceramic- Ker- 610
710	Recrystallised Alumina Ceramic- Ker- 710

Outer Tube OD X ID

316	SS 316
310	SS 310
304	SS 304
600	Inconel 600
800	Inconel 800

Outer Tube Material

316	SS 316
310	SS 310
304	SS 304
600	Inconel 600
800	Inconel 800

Holding Tube Material

316	SS 316
310	SS 310
304	SS 304
600	Inconel 600
800	Inconel 800

Holding Tube OD (mm)

Holding Tube ID (mm)

Threads	1/4"
	1/2"
	3/4"
	3/8"
B.S.P. / N.P.T.	1"
	1 1/4"
	1 1/2"
	2"

Holding Tube Length "L1" (mm)

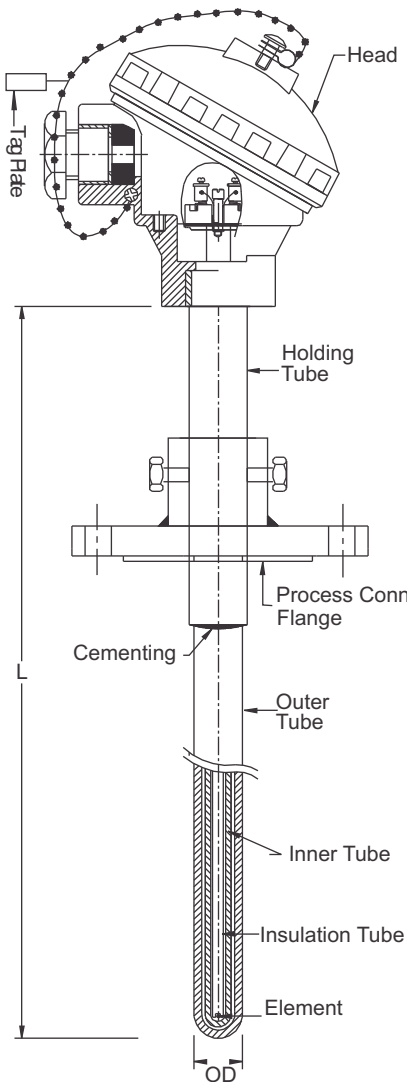
Adj. Comp. Fitting

M-Thread	M20X1.5, M18X1.5, M33X2, M27X2
Other	Consult Factory
N/A	Not Applicable

Nominal Length of T/C (mm)

THERMOCOUPLE WITH DOUBLE PROTECTION TUBE & ADJUSTABLE FLANGE

T-805



Termination Style

C	Connection Head IP-67
D	Double entry Head IP-65
EB	Ex-D IIB Zone 1&2
EC	Ex-D IIC
M	Miniature Head
P	Plastic Head
Other	Consult Factory

Junction Style

GN	Grounded
UN	Ungrounded

Thermocouple Element

Type of T/C	Description
R	Pt-Rh 13%Pt
S	Pt-Rh 10% Pt
B	Pt-Rh 30% Pt-Rh 6%
Ex.:	If Simplex-R Duplex-RR

Element Dia

0.35	Ø0.35mm
0.40	Ø0.40mm
0.45	Ø0.45mm
0.50	Ø0.50mm
Other	Consult Factory

Insulating Tube OD

3.5	Ø3.5mm
4.5	Ø4.5mm
5.5	Ø5.5mm
8.5	Ø8.5mm

Insulating Tube Material

610	Ceramic- 610
710	Ceramic- 710

Inner Tube OD X ID :

A	6 X 4mm
B	8 X 5mm
C	10 X 7mm
D	12 X 8mm
E	20 X15mm
F	24 X18mm

Inner tube Material

316	SS 316
310	SS 310
304	SS 304

Outer Tube OD X ID

600	Inconel 600
800	Inconel 800

Outer Tube Material

610	Recrystallised Alumina Ceramic- Ker- 610
710	Recrystallised Alumina Ceramic- Ker- 710

Process Conn.

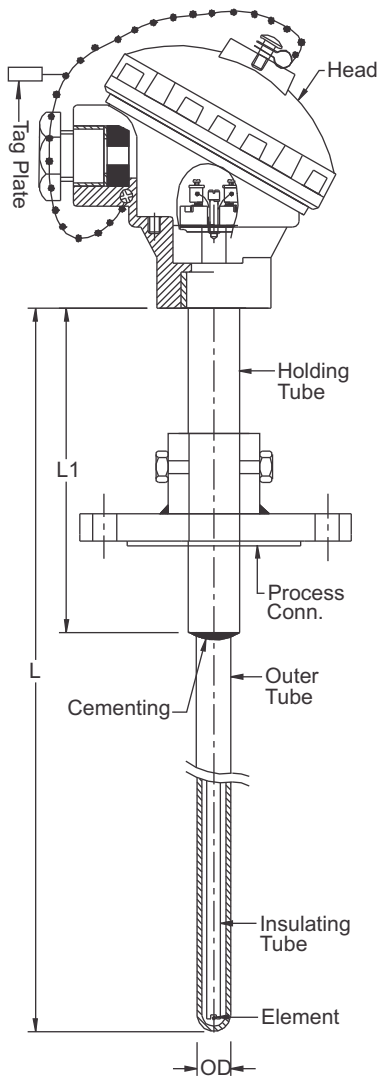
Flange Rating	Flange Size
# 150	1/2"
# 300	3/4"
# 400	1"
# 600	1 1/2"
	1 1/4"
	2"
Other	Consult Factory

Flange Material

Nominal Length of T/C (mm)

THERMOCOUPLE WITH SINGLE PROTECTION TUBE & ADJUSTABLE FLANGE

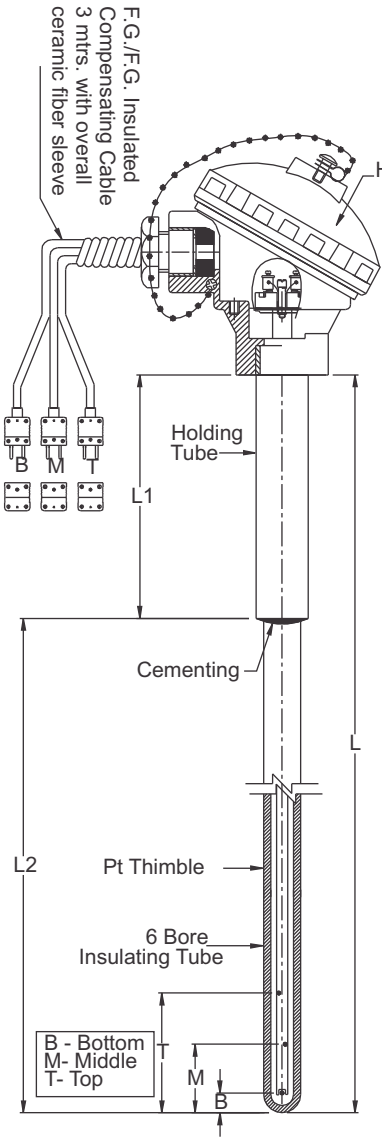
T-806



Termination Style	<input type="text"/>	<table border="1"> <tr><td>C</td><td>Connection Head IP-67</td></tr> <tr><td>D</td><td>Double entry Head IP-65</td></tr> <tr><td>EB</td><td>Ex-D IIB Zone 1&2</td></tr> <tr><td>EC</td><td>Ex-D IIC</td></tr> <tr><td>M</td><td>Miniature Head</td></tr> <tr><td>P</td><td>Plastic Head</td></tr> <tr><td>Other</td><td>Consult Factory</td></tr> </table>	C	Connection Head IP-67	D	Double entry Head IP-65	EB	Ex-D IIB Zone 1&2	EC	Ex-D IIC	M	Miniature Head	P	Plastic Head	Other	Consult Factory		
C	Connection Head IP-67																	
D	Double entry Head IP-65																	
EB	Ex-D IIB Zone 1&2																	
EC	Ex-D IIC																	
M	Miniature Head																	
P	Plastic Head																	
Other	Consult Factory																	
Junction Style	<input type="text"/>	<table border="1"> <tr><td>GN</td><td>Grounded</td></tr> <tr><td>UN</td><td>Ungrounded</td></tr> </table>	GN	Grounded	UN	Ungrounded												
GN	Grounded																	
UN	Ungrounded																	
Thermocouple Element	<input type="text"/>	<table border="1"> <thead> <tr><th>Type of T/C</th><th>Description</th></tr> </thead> <tbody> <tr><td>R</td><td>Pt-Rh 13%Pt</td></tr> <tr><td>S</td><td>Pt-Rh 10% Pt</td></tr> <tr><td>B</td><td>Pt-Rh 30% Pt-Rh 6%</td></tr> <tr><td>Ex.:</td><td>If Simplex-R Duplex-RR</td></tr> </tbody> </table>	Type of T/C	Description	R	Pt-Rh 13%Pt	S	Pt-Rh 10% Pt	B	Pt-Rh 30% Pt-Rh 6%	Ex.:	If Simplex-R Duplex-RR						
Type of T/C	Description																	
R	Pt-Rh 13%Pt																	
S	Pt-Rh 10% Pt																	
B	Pt-Rh 30% Pt-Rh 6%																	
Ex.:	If Simplex-R Duplex-RR																	
Element Dia	<input type="text"/>	<table border="1"> <tr><td>0.35</td><td>Ø0.35mm</td></tr> <tr><td>0.40</td><td>Ø0.40mm</td></tr> <tr><td>0.45</td><td>Ø0.45mm</td></tr> <tr><td>0.50</td><td>Ø0.50mm</td></tr> <tr><td>Other</td><td>Consult Factory</td></tr> </table>	0.35	Ø0.35mm	0.40	Ø0.40mm	0.45	Ø0.45mm	0.50	Ø0.50mm	Other	Consult Factory						
0.35	Ø0.35mm																	
0.40	Ø0.40mm																	
0.45	Ø0.45mm																	
0.50	Ø0.50mm																	
Other	Consult Factory																	
Insulating Tube OD	<input type="text"/>	<table border="1"> <tr><td>3.5</td><td>Ø3.5mm</td></tr> <tr><td>4.5</td><td>Ø4.5mm</td></tr> <tr><td>5.5</td><td>Ø5.5mm</td></tr> <tr><td>8.5</td><td>Ø8.5mm</td></tr> </table>	3.5	Ø3.5mm	4.5	Ø4.5mm	5.5	Ø5.5mm	8.5	Ø8.5mm								
3.5	Ø3.5mm																	
4.5	Ø4.5mm																	
5.5	Ø5.5mm																	
8.5	Ø8.5mm																	
Insulating Tube Material	<input type="text"/>	<table border="1"> <tr><td>610</td><td>Ceramic- 610</td></tr> <tr><td>710</td><td>Ceramic- 710</td></tr> </table>	610	Ceramic- 610	710	Ceramic- 710												
610	Ceramic- 610																	
710	Ceramic- 710																	
Outer Sheath OD X ID :	<input type="text"/>	<table border="1"> <tr><td>A</td><td>6 X 4mm</td></tr> <tr><td>B</td><td>8 X 5mm</td></tr> <tr><td>C</td><td>10 X 7mm</td></tr> <tr><td>D</td><td>12 X 8mm</td></tr> <tr><td>E</td><td>20 X15mm</td></tr> <tr><td>F</td><td>24 X18mm</td></tr> </table>	A	6 X 4mm	B	8 X 5mm	C	10 X 7mm	D	12 X 8mm	E	20 X15mm	F	24 X18mm				
A	6 X 4mm																	
B	8 X 5mm																	
C	10 X 7mm																	
D	12 X 8mm																	
E	20 X15mm																	
F	24 X18mm																	
Outer tube Material	<input type="text"/>	<table border="1"> <tr><td>610</td><td>Recrystallised Alumina Ceramic- Ker- 610</td></tr> <tr><td>710</td><td>Recrystallised Alumina Ceramic- Ker- 710</td></tr> </table>	610	Recrystallised Alumina Ceramic- Ker- 610	710	Recrystallised Alumina Ceramic- Ker- 710												
610	Recrystallised Alumina Ceramic- Ker- 610																	
710	Recrystallised Alumina Ceramic- Ker- 710																	
Holding Tube Material	<input type="text"/>	<table border="1"> <tr><td>316</td><td>SS 316</td></tr> <tr><td>310</td><td>SS 310</td></tr> <tr><td>304</td><td>SS 304</td></tr> <tr><td>600</td><td>Inconel 600</td></tr> <tr><td>800</td><td>Inconel 800</td></tr> <tr><td>Other</td><td>Consult Factory</td></tr> </table>	316	SS 316	310	SS 310	304	SS 304	600	Inconel 600	800	Inconel 800	Other	Consult Factory				
316	SS 316																	
310	SS 310																	
304	SS 304																	
600	Inconel 600																	
800	Inconel 800																	
Other	Consult Factory																	
Holding Tube OD (mm)	<input type="text"/>																	
Holding Tube ID (mm)	<input type="text"/>																	
Holding Tube Length "L1" (mm)	<input type="text"/>																	
Process Connection	<input type="text"/>	<table border="1"> <thead> <tr><th>Flange Rating</th><th>Flange Size</th></tr> </thead> <tbody> <tr><td># 150</td><td>1/2"</td></tr> <tr><td># 300</td><td>3/4"</td></tr> <tr><td></td><td>1"</td></tr> <tr><td># 400</td><td>1 1/2"</td></tr> <tr><td># 600</td><td>1 1/4"</td></tr> <tr><td></td><td>2"</td></tr> <tr><td>Other</td><td>Consult Factory</td></tr> </tbody> </table>	Flange Rating	Flange Size	# 150	1/2"	# 300	3/4"		1"	# 400	1 1/2"	# 600	1 1/4"		2"	Other	Consult Factory
Flange Rating	Flange Size																	
# 150	1/2"																	
# 300	3/4"																	
	1"																	
# 400	1 1/2"																	
# 600	1 1/4"																	
	2"																	
Other	Consult Factory																	
Flange Material	<input type="text"/>																	
Nominal Length of T/C (mm)	<input type="text"/>																	

TRI-LEVEL THERMOCOUPLE WITH LONG PT THIMBLE

T-900



Termination Style

Junction Style

Thermocouple Element

Element Dia

Insulating Tube OD

Insulating Tube Material

Holding Tube Material

Holding Tube OD (mm)

Holding Tube ID (mm)

Holding Tube Length "L1" (mm)

Pt Thimble OD (mm)

WT (mm)

MOC

Element Length From Tip (B,M,T)

C	Connection Head IP-67
D	Double entry Head IP-65
EB	Ex-D IIB Zone 1&2
EC	Ex-D IIC
M	Miniature Head
P	Plastic Head
Other	Consult Factory

GN	Grounded
UN	Ungrounded

Type of T/C	Description
R	Pt-Rh 13%Pt
S	Pt-Rh 10% Pt
B	Pt-Rh 30% Pt-Rh 6%
Ex.:	If Simplex-R Duplex-RR

0.35	Ø0.35mm
0.40	Ø0.40mm
0.45	Ø0.45mm
0.50	Ø0.50mm
Other	Consult Factory

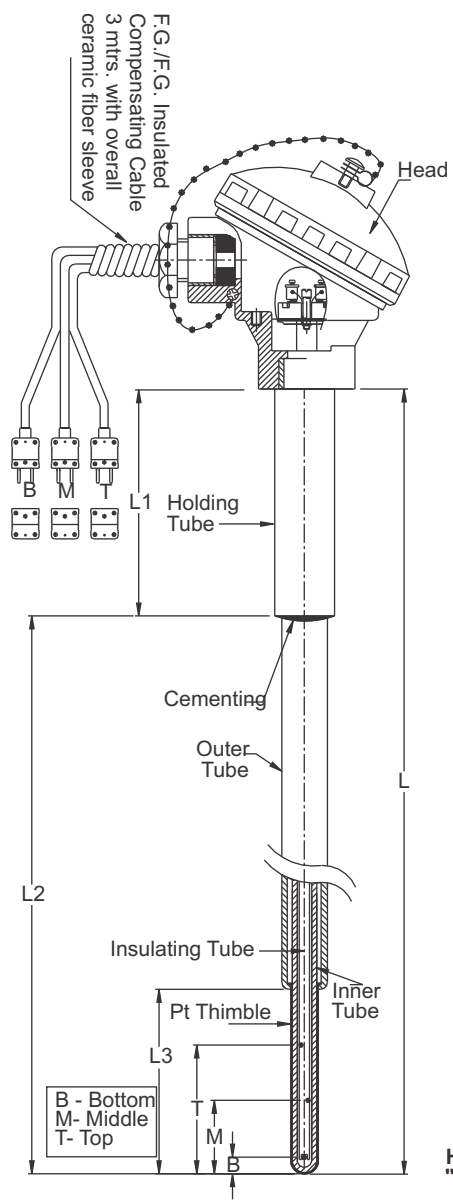
3.5	Ø3.5mm
4.5	Ø4.5mm
5.5	Ø5.5mm
8.5	Ø8.5mm

610	Ceramic- 610
710	Ceramic- 710

316	SS 316
310	SS 310
304	SS 304
600	Inconel 600
800	Inconel 800
Other	Consult Factory

TRI-LEVEL PT-RH THERMOCOUPLE WITH SMALL PT THIMBLE

T-901



Termination Style

Junction Style

Thermocouple Element

Element Dia

Insulating Tube OD

Insulating Tube Material

Inner tube Material

Outer Tube OD X ID

Outer Tube Material

Holding Tube Material

Holding Tube OD (mm)

Holding Tube ID (mm)

Holding Tube Length "L1" (mm)

Pt Thimble OD (mm)

Wall Thickness (mm)

MOC

Element Length From Tip (B,M,T)

C	Connection Head IP-67
D	Double entry Head IP-65
EB	Ex-D IIB Zone 1&2
EC	Ex-D IIC
M	Miniature Head
P	Plastic Head
Other	Consult Factory
GN	Grounded
UN	Ungrounded

Type of T/C	Description
R	Pt-Rh 13%Pt
S	Pt-Rh 10% Pt
B	Pt-Rh 30% Pt-Rh 6%
Ex.:	If Simplex-R Duplex-RR

0.35	Ø0.35mm
0.40	Ø0.40mm
0.45	Ø0.45mm
0.50	Ø0.50mm
Other	Consult Factory

3.5	Ø3.5mm
4.5	Ø4.5mm
5.5	Ø5.5mm
8.5	Ø8.5mm

610	Ceramic- 610
710	Ceramic- 710

316	SS 316
310	SS 310
304	SS 304

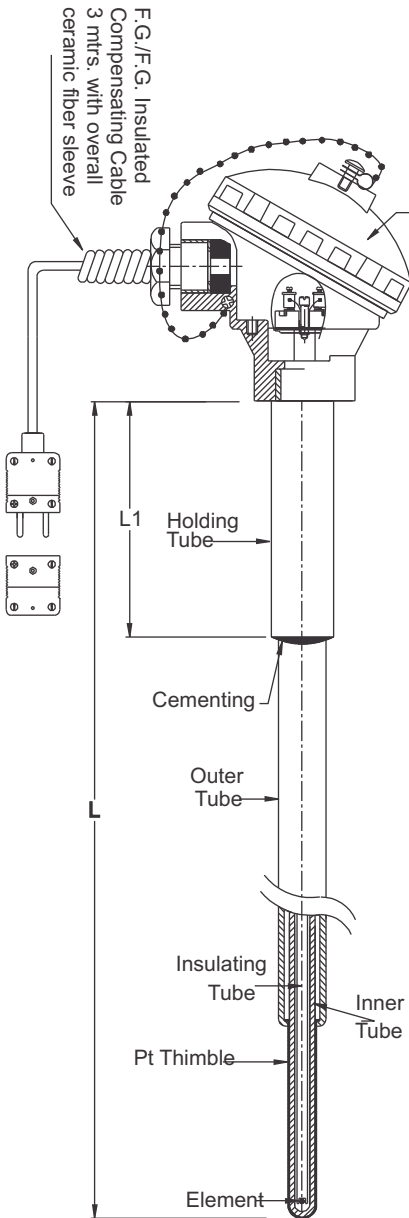
600	Inconel 600
800	Inconel 800

610	Recrystallised Alumina Ceramic- Ker- 610
710	Recrystallised Alumina Ceramic- Ker- 710

316	SS 316
310	SS 310
304	SS 304
600	Inconel 600
800	Inconel 800
Other	Consult Factory

SINGLE LEVEL THERMOCOUPLE WITH SMALL PT THIMBLE

T-902



Termination Style

C	Connection Head IP-67
D	Double entry Head IP-65
EB	Ex-D IIB Zone 1&2
EC	Ex-D IIC
M	Miniature Head
P	Plastic Head
Other	Consult Factory

Junction Style

GN	Grounded
UN	Ungrounded

Thermocouple Element

Type of T/C	Description
R	Pt-Rh 13%Pt
S	Pt-Rh 10% Pt
B	Pt-Rh 30% Pt-Rh 6%
Ex.:	If Simplex-R Duplex-RR

Element Dia

0.35	Ø0.35mm
0.40	Ø0.40mm
0.45	Ø0.45mm
0.50	Ø0.50mm
Other	Consult Factory

Insulating Tube OD

3.5	Ø3.5mm
4.5	Ø4.5mm
5.5	Ø5.5mm
8.5	Ø8.5mm

Insulating Tube Material

610	Ceramic- 610
710	Ceramic- 710

Inner tube Material

316	SS 316
310	SS 310
304	SS 304

Outer Tube OD X ID

600	Inconel 600
800	Inconel 800

Outer Tube Material

610	Recrystallised Alumina Ceramic- Ker- 610
710	Recrystallised Alumina Ceramic- Ker- 710

Holding Tube Material

316	SS 316
310	SS 310
304	SS 304

Holding Tube OD (mm)

600	Inconel 600
800	Inconel 800
Other	Consult Factory

Holding Tube ID (mm)

Holding Tube Length "L1" (mm)

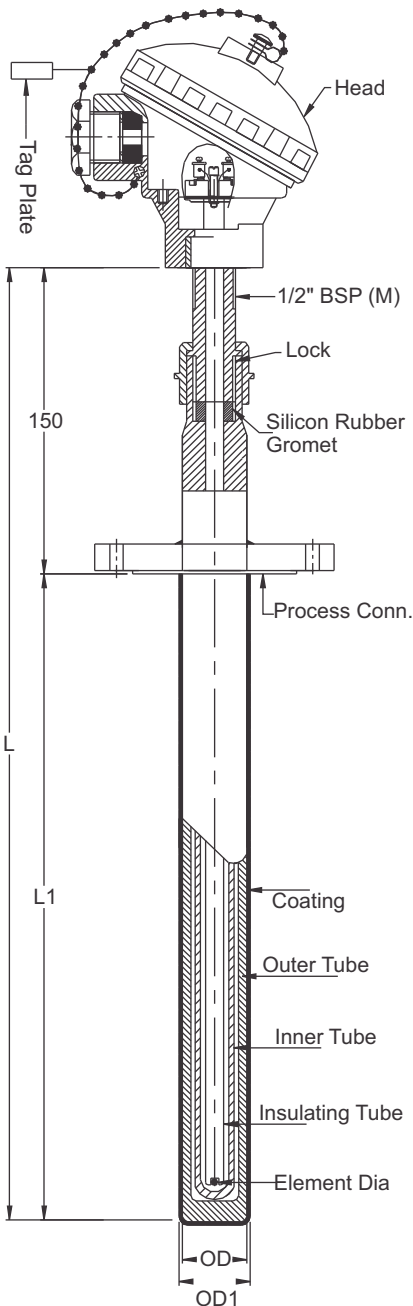
Pt Thimble OD (mm)

Wall Thickness (mm)

MOC

Nominal Length Of T/C "L"(mm)

THERMOCOUPLE WITH OUTER-INNER PROTECTION TUBE & COUNTER FLANGE



T-903

Termination Style	<input type="text"/>	C	Connection Head IP-67
		D	Double entry Head IP-65
		EB	Ex-D IIB Zone 1&2
		EC	Ex-D IIC
		M	Miniature Head
		P	Plastic Head
		Other	Consult Factory
Junction Style	<input type="text"/>	GN	Grounded
		UN	Ungrounded
Thermocouple Element	<input type="text"/>	Type of T/C	Description
		R	Pt-Rh 13%Pt
		S	Pt-Rh 10% Pt
		B	Pt-Rh 30% Pt-Rh 6%
		Ex.:	If Simplex-R Duplex-RR
Element Dia	<input type="text"/>	0.35	Ø0.35mm
		0.40	Ø0.40mm
		0.45	Ø0.45mm
		0.50	Ø0.50mm
		Other	Consult Factory
Insulating Tube OD	<input type="text"/>	3.5	Ø3.5mm
		4.5	Ø4.5mm
		5.5	Ø5.5mm
		8.5	Ø8.5mm
Insulating Tube Material	<input type="text"/>	610	Ceramic- 610
		710	Ceramic- 710
Inner tube Material	<input type="text"/>	316	SS 316
		310	SS 310
		304	SS 304
Outer Tube OD X ID	<input type="text"/>	600	Inconel 600
		800	Inconel 800
Outer Tube Material	<input type="text"/>	610	Recrystallised Alumina Ceramic- Ker- 610
		710	Recrystallised Alumina Ceramic- Ker- 710
Sealing Stopper AT T/W Neck	<input type="text"/>	Flange Rating	Flange Size
Process Connection	<input type="text"/>	# 150	1/2"
		# 300	3/4"
		# 400	1"
		# 600	1 1/2"
			1 1/4"
			2"
		Other	Consult Factory
Flange Material	<input type="text"/>	PTFE	PTFE Coating
Coating	<input type="text"/>	CERAMIC	CeramicCoating
		TC	Tungsten Carbide Coating
Length L1 (mm)	<input type="text"/>	STR	Sterlite Coating
Nominal Length Of T/C "L"(mm)	<input type="text"/>	OTHER	Consult Factory