

# C1005B-Series

## THERMAL CIRCUIT PROTECTORS

The C1005B-Series offers the functionality of a switch and circuit breaker in a single compact package, which fits an industry standard .500 x 1.125 mounting hole. This combo device eliminates the need for both a switch and thermal circuit protector on customer panels. By using only this multipurpose product, wiring and assembly costs are greatly reduced, while at the same time, valuable panel real estate is saved. The C1005B-Series is available lighted or unlighted, in a variety of colors, with solder lug or .250 Tabs. Current ratings range from 7-16 amps@125 and 250 VAC and up to 32 VDC.

### Product Applications:

Household and Commercial Appliances  
Transportation  
Marine  
Telecommunications  
Power Strips  
Audio-visual Equipment  
Medical equipment  
Power supplies  
Generators

### Safety Regulatory Agency Approvals:

UL, CUL, TUV



A SWITCH & CIRCUIT PROTECTOR  
IN ONE SMALL, COMPACT PACKAGE!

### Product Highlights:

- ◆ Industry Standard .550 X 1.125 mounting hole (14mm X 28.6mm)
- ◆ Ratings from 7-16 Amps
- ◆ Standard Reset/Off Legend
- ◆ Aesthetically pleasing Curved Rocker & Angular Bezel
- ◆ .250 Tabs or Solder Lug Terminations
- ◆ 65°C Max Operating Temperature
- ◆ 1000 AIC Interrupting Capacity
- ◆ 1500 VAC Dielectric Strength
- ◆ 100 megohms at 500 VDC Insulation Resistance
- ◆ Compact Space-saving Envelope
- ◆ UL1077, UL1363, IEC 60934

# C1005B — 3 B 15 1 B R 3

1 Series

2 Illumination 3 Termination

4 Current Rating

5 Contact Material

6 Bezel Legend

7 Rocker Color

8 Lamp Voltage

**1 SERIES**  
**C1005B**

**2 ILLUMINATION**  
2 Non-Lighted  
3 Lighted

**3 TERMINATION**  
A Solder Lug  
B .250 Tab

**4 CURRENT RATING (AMPERES)**

07	7 amps	12	12 amps
08	8 amps	13	13 amps
09	9 amps	14	14 amps
10	10 amps	15	15 amps
11	11 amps	16	16 amps

**5 CONTACT MATERIAL<sup>1</sup>**  
1 SilverCad Oxide (switch), Silver plated copper (breaker)  
3 SilverCad Oxide (switch & breaker)

**6 BEZEL LEGEND IMPRINT**  
B Black Bezel with white legend  
W White Bezel with black legend  
C Gray Bezel with black legend

**7 ROCKER COLOR**  
R Red  
G Green  
U Blue  
T Clear  
Note: RESET OFF Legend is standard.

**8 LAMP VOLTAGE**  
3 Neon Lamp 125/250 VAC  
9 Non-lighted

Notes:  
1 Silver cad oxide switch and breaker contacts are available as a special order. Specify 3 for selection 5

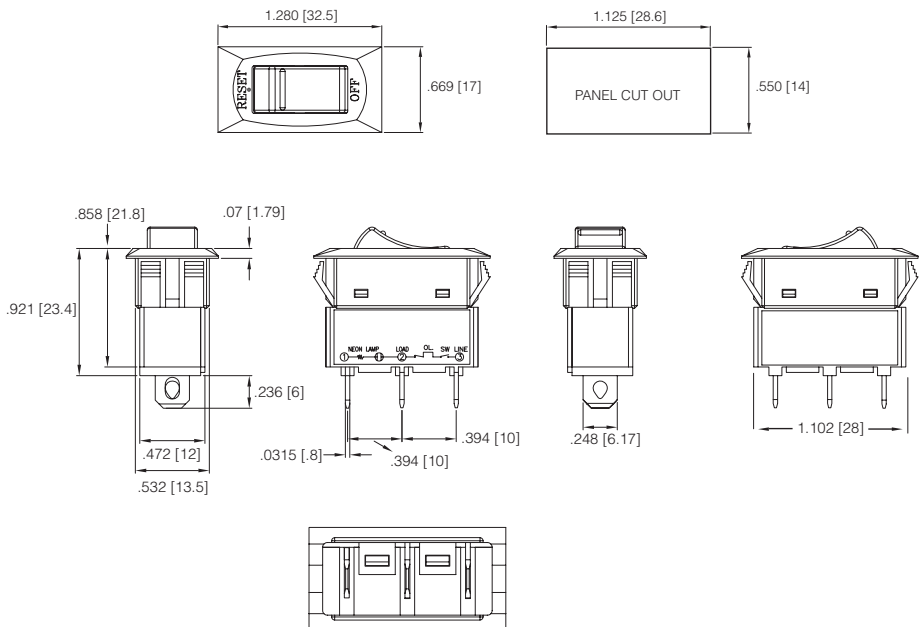
## Time Delay

OVERLOAD	TRIP TIME
100%	NO TRIP
150%	TRIP IN 1 HR.
200%	5 - 35 SEC.
300%	1 - 10 SEC.
400%	.45 - 5.5 SEC.
600%	.1 - 20 SEC.

CORRECTION FACTOR <sup>1</sup>	
0°C	x .67
10°C	x .72
15°C	x .83
18°C	x .87
25°C	x 1.00
32°C	x 1.05
40°C	x 1.18
50°C	x 1.33
60°C	x 1.67

Notes:  
1 To adjust the breaker ratings for ambient temperature multiply the breaker rating by the factor. (ex: 5 amp rating at 0°C: 5 x .67 = 3.3 amp. Select 3 amp rating.)  
2500 amps @ 32 VDC only. AIC rating is 1000 amps for AC applications.

## Dimensional Specifications: in. [mm]



\*Manufacturer reserves the right to change product specification without prior notice.