

## Technical Data of Limit Switches for AS-Interface Application

### Communication

- AS-Interface specification: V2.11, Rev. 1
- Slave profile: S-B.A.E
- Connection: 4-pole sensor connector M12x1, contact 1 is assigned to ASI+ and contact 3 to ASI-
- Max. network length: 100m (without repeater)
- Max. cycle time: 10ms (62 A/B slaves)

### Ambient Conditions

- Transport-, storage- and Operating temperature: -25°C ... +55°C

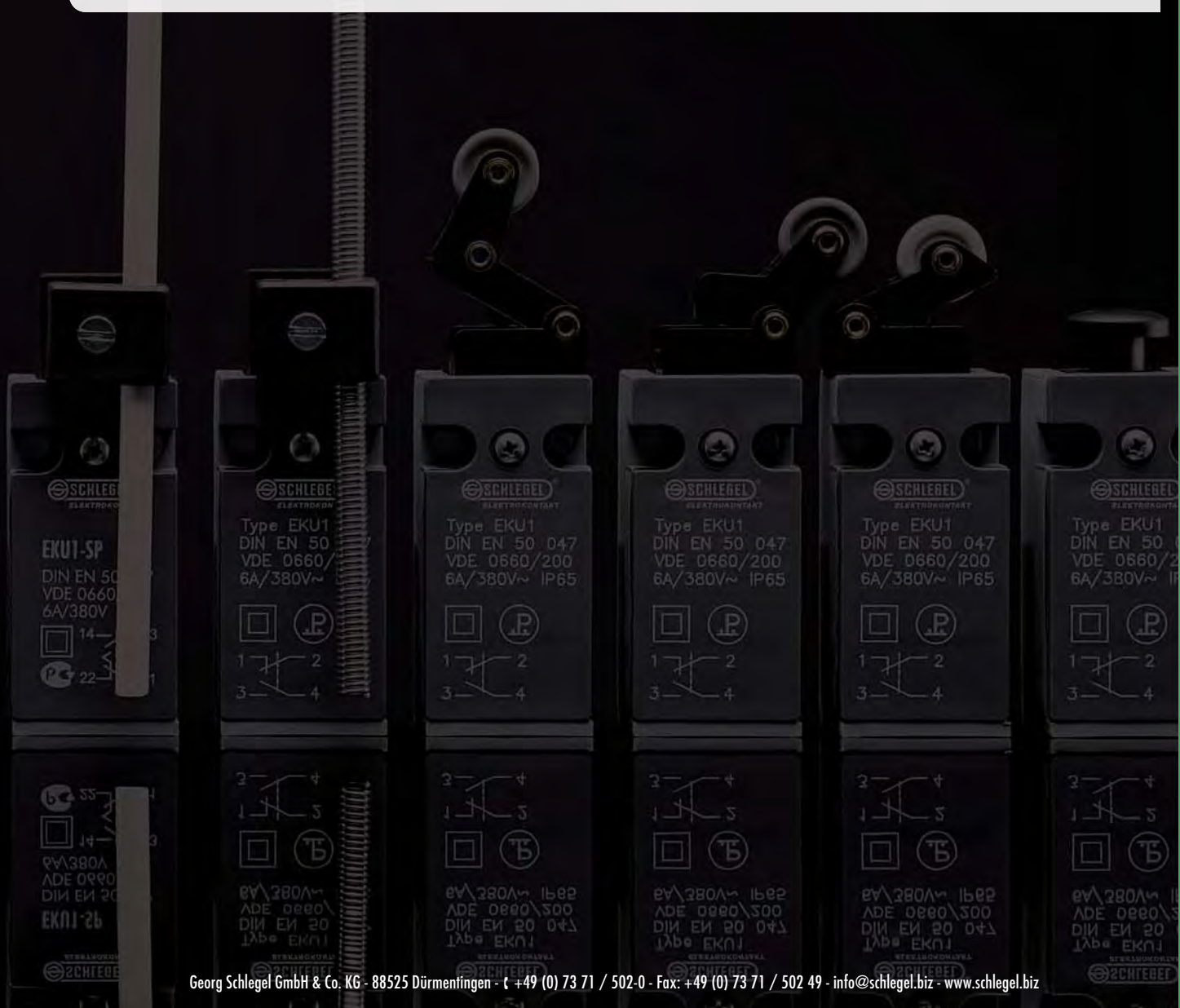
### Mechanical Data

- Operating travel: 6mm

### Electrical Data

- Voltage supply: 26.5...31.6 V, through the AS-Interface line
- Total power consumption: <= 30 mA
- Reverse polarity protection: available

- Admissible on-load switching cycles: 1200/h
- Mechanical life: 10 mill. switching cycles
- Operating force on plunger: 10 N
- Actuators: exchangeable and rotatable by 90°
- Degree of protection acc. to DIN 40050: IP65
- Construction: compliant to VDE 0660/200
- Ambient conditions acc. to DIN IEC 721-3-3: stationary use at weatherproof locations 3D6/3Z2/3Z10/3B2/3C2/3S3/3M6



About Us

Control Units

Panel Mount Jacks

Bus Technology

Enclosures

Terminal Blocks

Pedal Switches

→ Limit Switches

Type Index

About Us

Control Units

Panel Mount Jacks

Bus Technology

Enclosures

Terminal Blocks

Pedal Switches

→ Limit Switches

Type Index



1NC + 1NO



**ASI\_EKU1-KST**

**ASI\_EKU1-KD**

**ASI\_EKU1-KG**

**ASI\_EKU1-KH**

**ASI\_EKU1-KR**

1NC + 1NO snap action contact



**ASI\_EKU1-SPR-KST**



**ASI\_EKU1-SPR-KD**

**ASI\_EKU1-SPR-KFS**

**ASI\_EKU1-SPR-KG**

**ASI\_EKU1-SPR-KH**

**ASI\_EKU1-SPR-KRH**

-  recommended operating travel
-  positive opening

IP65	IP65	IP65	IP65	IP65	IP65	IP65	IP65
<b>ASI ECU1-KRHV</b>	<b>ASI ECU1-KK</b>	<b>ASI ECU1-KDH</b>	<b>ASI ECU1-KDF</b>	<b>ASI ECU1-KR</b>	<b>ASI ECU1-KV</b>	<b>ASI ECU1-KW</b>	<b>ASI ECU1-KZ</b>
<b>ASI ECU1-SPR-KRHV</b>	<b>ASI ECU1-SPR-KK</b>	<b>ASI ECU1-SPR-KDH</b>	<b>ASI ECU1-SPR-KDF</b>	<b>ASI ECU1-SPR-KR</b>	<b>ASI ECU1-SPR-KV</b>	<b>ASI ECU1-SPR-KW</b>	

About Us

Control Units

Panel Mount Jacks

Bus Technology

Enclosures

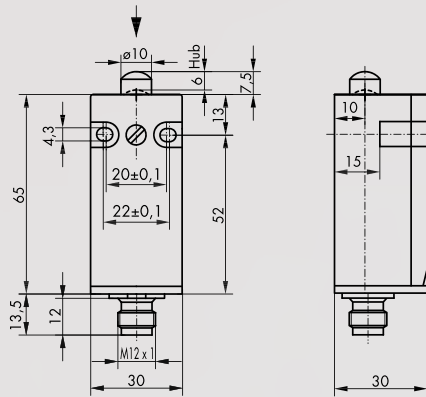
Terminal Blocks

Pedal Switches

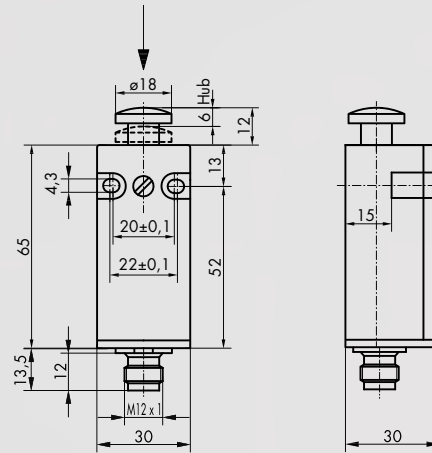
→ Limit Switches

Type Index

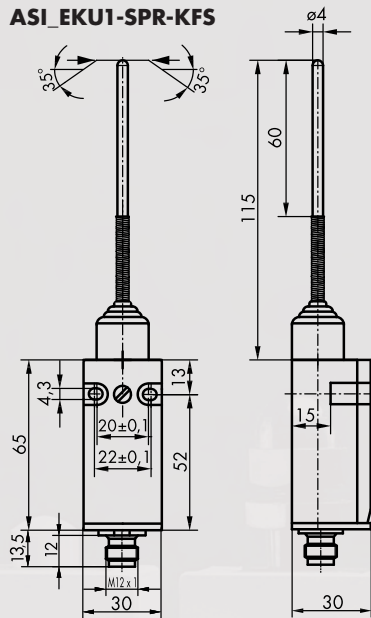
**ASI\_EKU1-KST**  
**ASI\_EKU1-SPR-KST**



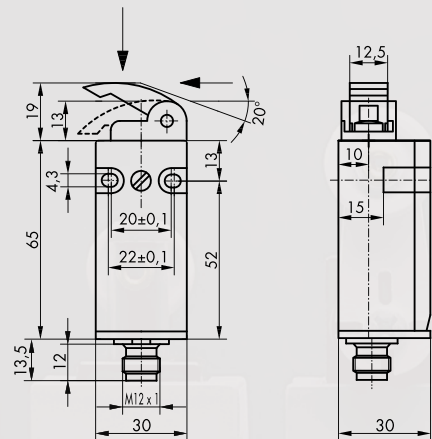
**ASI\_EKU1-KD**  
**ASI\_EKU1-SPR-KD**



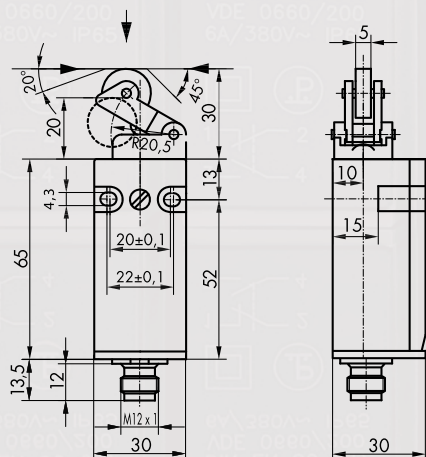
**ASI\_EKU1-SPR-KFS**



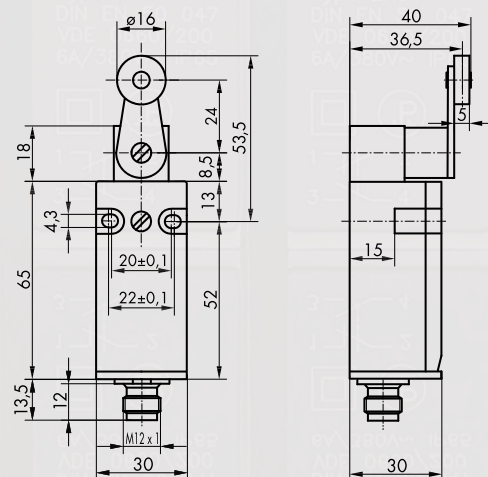
**ASI\_EKU1-KG**  
**ASI\_EKU1-SPR-KG**



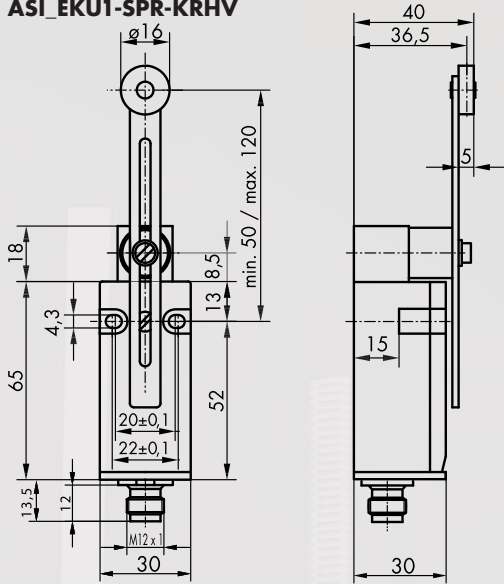
**ASI\_EKU1-KH**  
**ASI\_EKU1-SPR-KH**



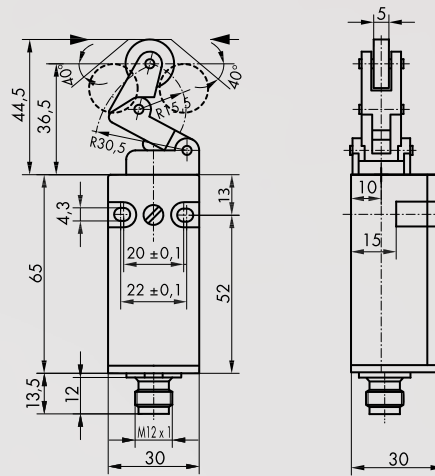
**ASI\_EKU1-KRH**  
**ASI\_EKU1-SPR-KRH**



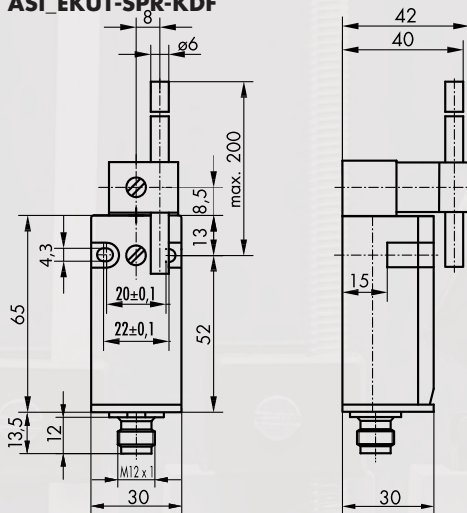
**ASI\_EKU1-KRHV**  
**ASI\_EKU1-SPR-KRHV**



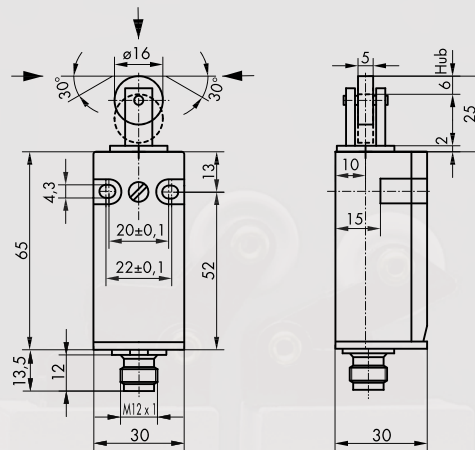
**ASI\_EKU1-KK**  
**ASI\_EKU1-SPR-KK**



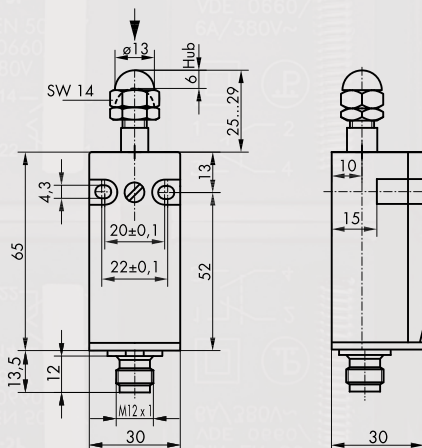
**ASI\_EKU1-KDH**  
**ASI\_EKU1-SPR-KDH**  
**ASI\_EKU1-KDF**  
**ASI\_EKU1-SPR-KDF**



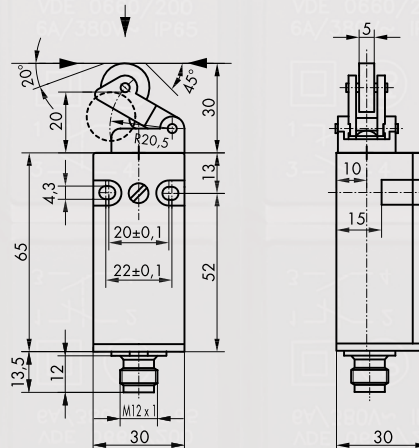
**ASI\_EKU1-KR**  
**ASI\_EKU1-SPR-KR**



**ASI\_EKU1-KV**  
**ASI\_EKU1-SPR-KV**



**ASI\_EKU1-KW**  
**ASI\_EKU1-SPR-KW**



About Us

Control Units

Panel Mount Jacks

Bus Technology

Enclosures

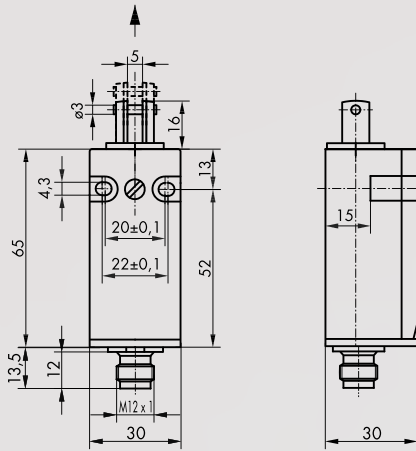
Terminal Blocks

Pedal Switches

→ Limit Switches

Type Index

## ASI\_EKU1-KZ



About Us

Control Units

Panel Mount Jacks

Bus Technology

Enclosures

Terminal Blocks

Pedal Switches

→ Limit Switches

Type Index