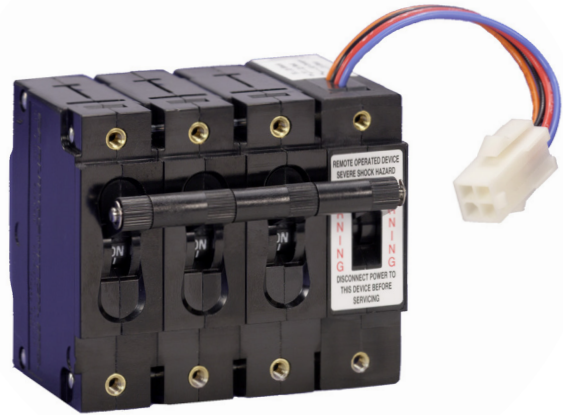


C-Series (ROCB) Remote Operating Module

The Carling Technologies Remote Operated Circuit Breaker (ROCB) combines the convenience of remote ON, OFF and Reset capabilities, with the safety and accuracy of a standard magnetic current sensing device, thus allowing operation of the breaker from various locations in a system, facility or site (while not sacrificing the ability to manually operate the breaker if required). The ROCB, service, diagnostics, load shedding and power distribution control functions can now be performed in areas that were previously unattended, inaccessible or unsafe. The ROCB module allows remote operation of the C-Series panel mount breaker (up to 3 poles) through hard wiring with a single pole, double throw switch connected to a standard power source, or more sophisticated relay and modem networks.

The ROCB module can be mounted to either side of the host breaker, while occupying only the width of a standard C-Series pole. Several interface methods are available. Remote physical actuation of the host circuit breaker is achieved by connecting the ROCB module's handle with the breakers. Being based on the C-Series breaker, the ROCB allows easy adaptation into existing panel designs. In addition, its compact size allows efficient use of space for new design applications.

With the ROCB, Carling has designed a versatile, compact and reliable solution -- in a hydraulic/magnetic circuit breaker or switch only device that can be operated both manually and remotely.



Features:

- ♦ ON-OFF and trip indication
- ♦ Load shedding
- ♦ Energy management
- ♦ Compact size
- ♦ Automatic reset capable
- ♦ Choice of interface styles
- ♦ Panel mounting
- ♦ Manual Operation Override
- ♦ Fits into industry standard cut-out

ROCB Motor Specifications:

- ♦ Voltage input: 12 VDC to 80 VDC
- ♦ Start current: < 1 amp
- ♦ Switching time: < 2 seconds
- ♦ Operating Temperature: -25°C to 80°C



Carling Technologies®

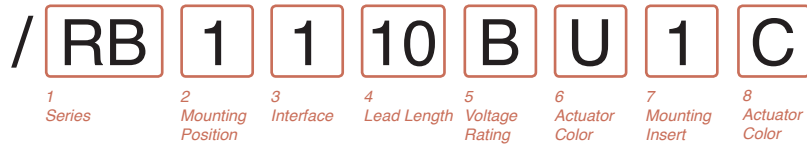
Innovative Designs. Powerful Solutions.

Innovative Designs. Powerful Solutions.

Carling Technologies, Inc.
60 Johnson Avenue • Plainville, CT 06062-1177
Phone: (860) 793-9281 • Fax: (860) 793-9231
Email: sales@carlingtech.com • www.carlingtech.com

To order a remote operated circuit breaker, add / plus the remote module part number to the end of the C-Series circuit breaker catalog number. ex.CA1BO24620121C/RB1110BU1C

Match color & mounting inserts of breaker.



1 SERIES
RB

2 MOUNTING POSITION
As viewed from back of breaker, line side up, pole 1 left.
0 n/a - ordered separate from breaker
1 Left Side
2 Right Side

3 INTERFACE
1 Flying Leads
2 Integral Connector
3 Flying Leads w/ 4 pin dual row connector (female)
4 Flying Leads w/ 4 pin dual row connector (male)

4 LEAD LENGTH

10	10"	21	21"
00	No Lead	11	11"
01	1"	12	12"
02	2"	13	13"
03	3"	14	14"
04	4"	15	15"
05	5"	16	16"
06	6"	17	17"
07	7"	18	18"
08	8"	19	19"
09	9"	20	20"

5 VOLTAGE RATING
A 12 VDC
B 20-40 VDC
C 41-80 VDC

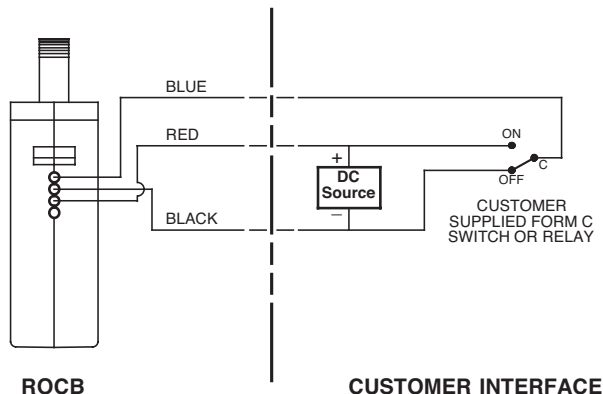
6 ACTUATOR COLOR
T White
U Black
V Red
W Yellow

7 MOUNTING INSERT
1 6-32 x 0.195"
2 ISO M3 x 5mm

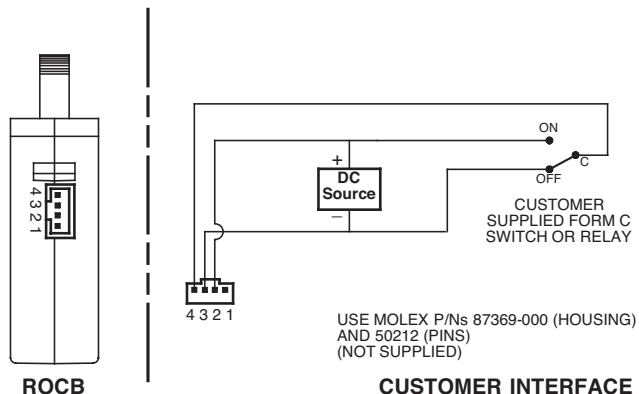
8 AGENCY APPROVAL
C UL Recognized & CSA Accepted
E TUV Certified, UL Recognized & CSA Accepted
G UL 489 Listed & CSA Certified
I UL 1500 Ignition Protected, UL Recognized & CSA Accepted
J UL 489 Listed, CSA Certified & TUV Certified

Notes:
Integral and 4-pin dual row connectors not available with agency approval J or G: UL 489.

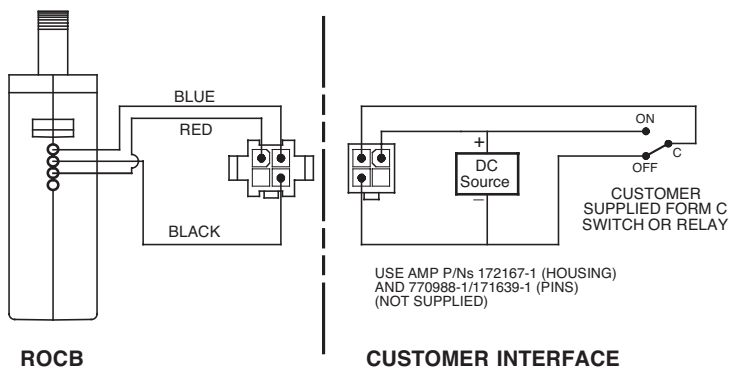
**CATALOG INTERFACE OPTION 1 (FLYING LEADS)
WIRING INSTRUCTIONS**



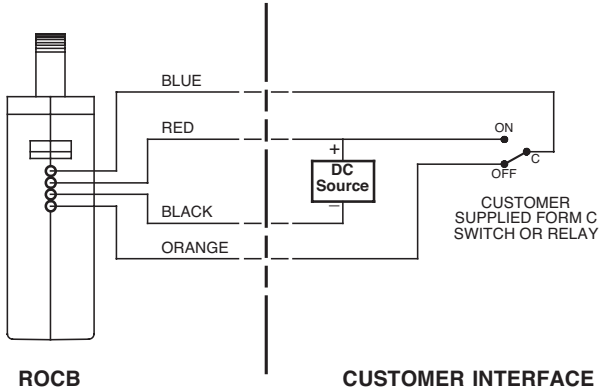
**CATALOG INTERFACE OPTION 2 (INTEGRAL CONNECTOR)
WIRING INSTRUCTIONS**



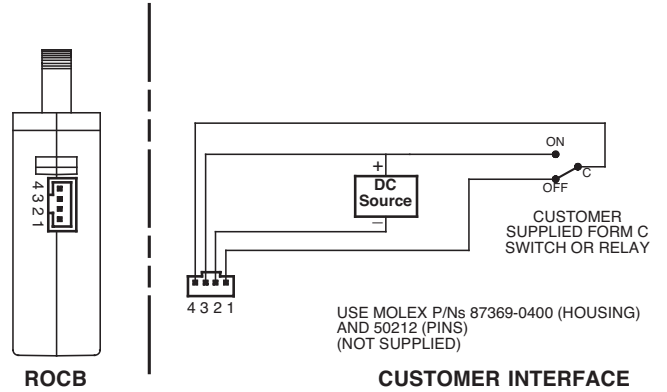
**CATALOG INTERFACE OPTION 3
(FLYING LEADS WITH 4 PIN DUAL ROW CONNECTOR)
WIRING INSTRUCTIONS**



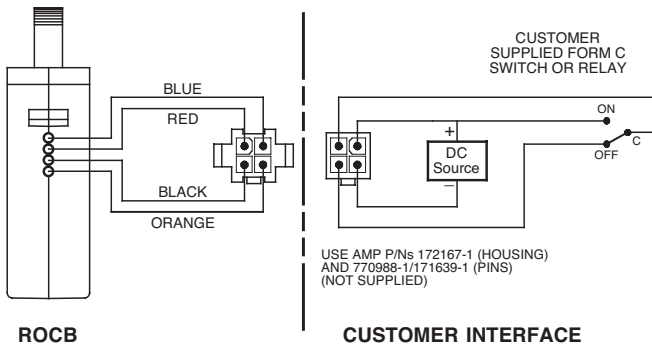
**CATALOG INTERFACE OPTION 1 (FLYING LEADS)
WIRING INSTRUCTIONS**



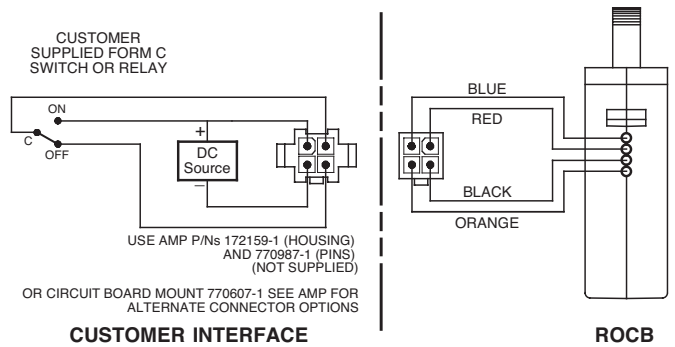
**CATALOG INTERFACE OPTION 2 (INTEGRAL CONNECTOR)
WIRING INSTRUCTIONS**

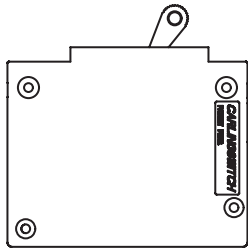
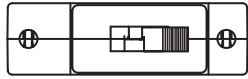


**CATALOG INTERFACE OPTION 3
(FLYING LEADS WITH FEMALE 4 PIN DUAL ROW CONNECTOR)
WIRING INSTRUCTIONS**

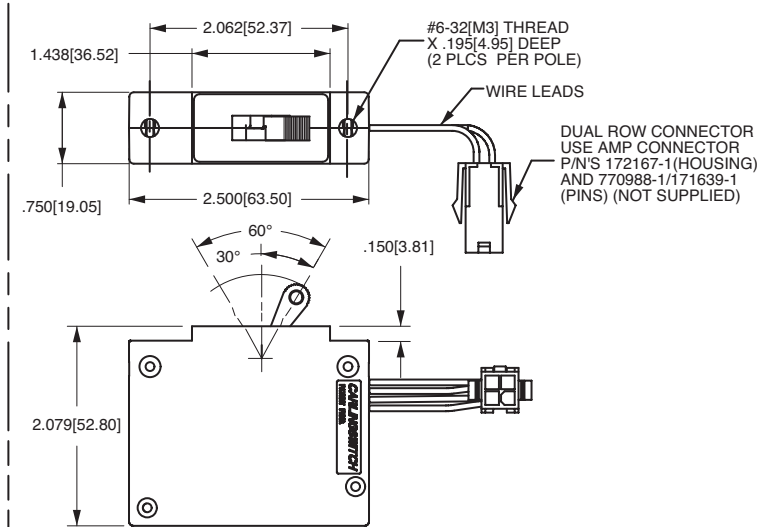
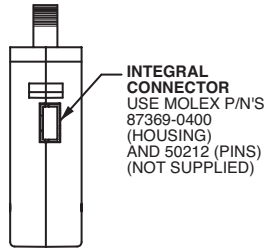


**CATALOG INTERFACE OPTION 4
(FLYING LEADS WITH MALE 4 PIN DUAL ROW CONNECTOR)
WIRING INSTRUCTIONS**





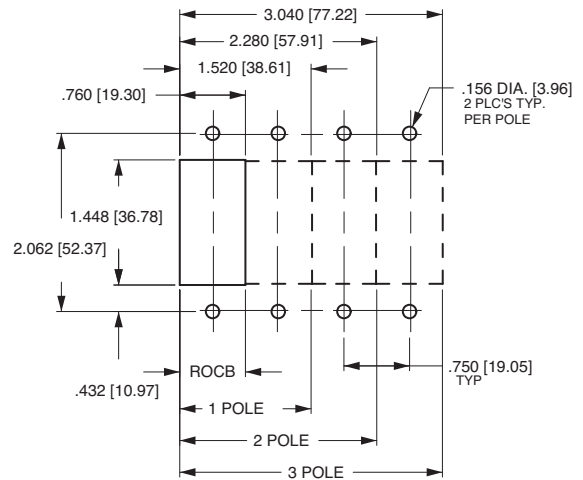
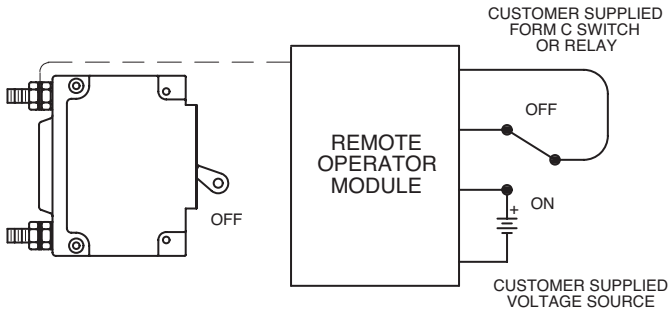
INTEGRAL CONNECTOR VERSION



CONNECTOR WITH LEADS

PANEL CUTOUT DETAIL

TOLERANCES ±.005 [.12]



REV_CB_C-ROCB_0812